

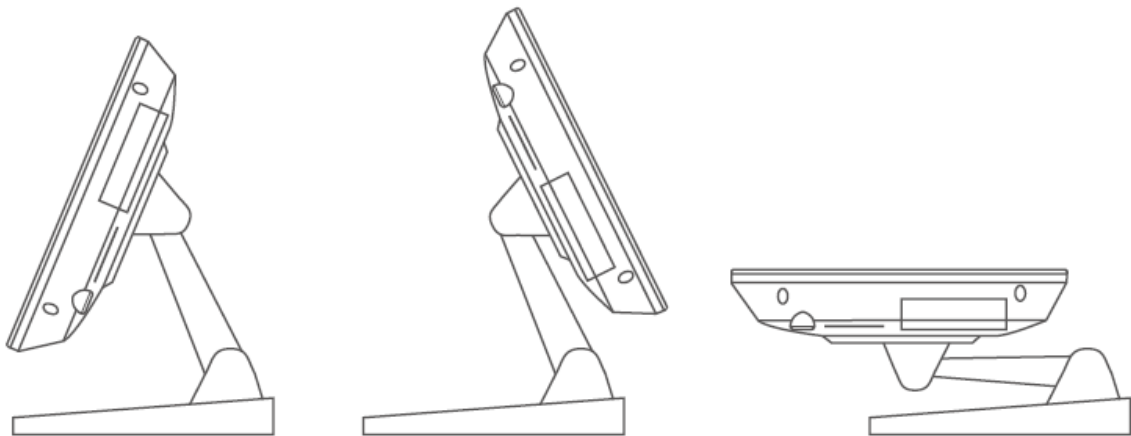
NIOSTAR®

FORCE 15

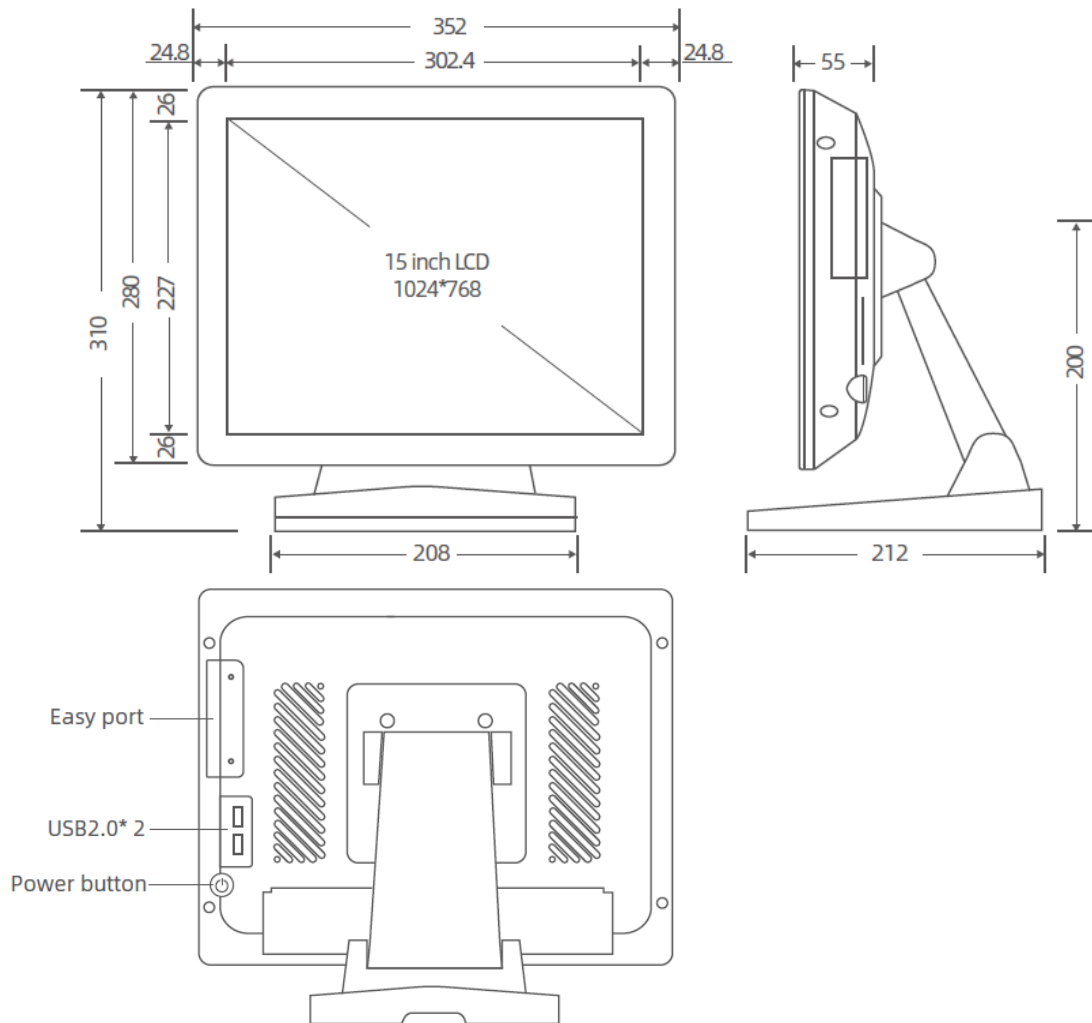
POS1-150J6412-8G128G



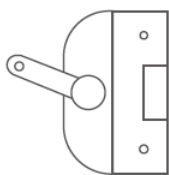
Foldable Design



NIOSTAR®



Easy Devices



i-Button



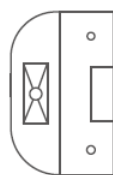
NFC Card Reader



Magnetic Stripe Card Reader



Camera



2D Barcode Reader



Fingerprint Reader

NIOSTAR®



J6412

J6412 Motherboard		
Parameters	Specification	Unit
Processor Number	J6412	
Processor Series	Celeron	
Motherboard Type	Mini-ITX/ Processor on board/ Fanless	
Generation	11 th	
Cores	4	pieces
Threads	4	
Base Frequency	2.0	GHz
Burst Frequency	2.6	GHz
Cache	1.5	MB
Audio	Realtek ALC662 HD	
Graphics	Intel® UHD Graphics	
4K Support	Yes, at 60Hz	
Network	Realtek RTL8111H 1000M	
RAM Socket	SO-DIMM* 1	piece
Max RAM Capacity	16	GB
RAM Types	DDR4 2933	MHz
SSD Interface	Mini SATA* 1	piece
Expand Interface	Mini PCI-E* 1 (for Wi-Fi)	piece
I/O Interface	USB 2.0* 2 (Expand, on the left of screen)	piece
	USB 2.0* 2 (Expand, on the right of screen)	piece
	USB 3.0* 4	piece
	RS232* 2	piece
	VGA* 1	piece
	RJ45* 1	piece
	Mic-in* 1	piece
	Audio-out* 1	piece
	DC-in* 1	piece

REMARKS:

1. The default video extension interface is VGA interface.
2. The COM ports default to no voltage, the COM2 supports 5V.
3. The *Easy Port* means that the *easy device* can be installed in a few seconds, which is convenient for resellers to expand the functions of the POS system according to project requirements.

NIOSTAR®

Unit Packing List	
POS Terminal* 1	
Power Adapter* 1	
AC Cable* 1	
Cable Tie* 4	
User Manual* 1	

Unit Packing Information	
Unit Net Weight	3.9 kg
Unit Gross Weight	5.3 kg
Unit Package Size	480*180*440 mm

Carton Packing Information			
Number of Units	1 unit	2 units	4 units
Gross Weight	6.8 kg	12.8 kg	23.5 kg
Package Size	490*190*470 mm	500*370*480mm	700*500*470 mm

NIOSTAR® is een geregistreerd merk
en wordt in België vertegenwoordigd door

Altmanner BV
Gwijde van Dampierrestraat 3
BE - 8820 TORHOUT
Belgium
ON-BTW-BE0804.266.689
RPR Gent, afdeling Oostende