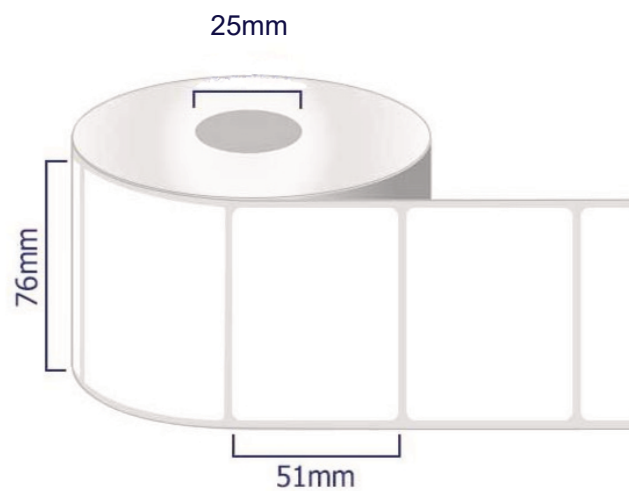


NIOSTAR®

NIOSTAR THERMAL LABELS 76x51

TLR1-7651-1370

DIMENSIONS(MM)	76X51MM
LABELS/ROL	1370
MATERIAL	DIRECT THERMAL
KERN	25MM
PACKAGING	BOX 20 ROLLS



NIOSTAR®

NIOSTAR THERMAL LABELS 76x51

TLR1-7651-1370

BIXOLON	SLP-DX220, SLP-TX400, SLP-TX420, XD3-40, XD5-40, XL5-40
GODEX	DT4x, DT43x+, GE300, GE330, G500, G530, RT700, RT700i, RT700i+, RT730, RT730i, RT730i+, RT823i+, RT833i+, RT863i+
METAPACE	L-42D, L-42DT, L-42T
NIOSTAR	PTL100, PTL100W
ZEBRA	GK420D, GK420T, GX420D, GX430D, GX430T, ZD220D, ZD420D, ZT200, ZT220, ZT230, ZT510, ZT620

Specs		
Features	Adhesive type	Permanent
	Format	Roll
	Operating temperature (T-T)	'-10 - +40 °C
	Perforated	Yes
	Print technology	Direct thermal
	Product colour	White
	Purpose	Light industrial / industrial
	Reusable	No
	Shape	Rectangular
Other features	Quantity per box	27400pcs
Package dimensions	Gross Weight (Package, kg)	15.4 kg
Packaging content	Labels per pack	27400pcs
	Labels per roll	1370pcs
	Ribbon included	No
	Rolls per pack	20
Product dimensions	Net Weight (Product, kg)	0.745 kg
Vendor information	Brand Name	Niostar
Weight & dimensions	Core diameter	2.5 cm
	Label height	5.1 cm
	Label width	7.6 cm
	Maximum roll diameter	12 cm

NIOSTAR®

NIOSTAR® is een geregistreerd merk
en wordt in België vertegenwoordigd door

Altmanner BV

Gwijde van Dampierrestraat 3

BE – 8820 TORHOUT

Belgium

ON-BTW-BE0804.266.689

RPR Gent, afdeling Oostende